

S 36 X

Truck-mounted concrete pump



MADE IN GERMANY
by SCHWING-Stetter 

Vertical reach		35.20 m
Concrete output	max.	161 m ³ /h
Pressure on concrete	max.	85 bar



RECORD BREAKING ENGINEERING

SCHWING GmbH
Heerstrasse 9-27
44653 Herne, Germ,any
Phone +98 021 - 224 286 75-8
Fax +98 021 - 224 286 78
@mr.pump_iran
www.saghargostar-co.ir

The SCHWING S 36 X Efficient and reliable

Outstanding reliability and high performance have been the hallmarks of the SCHWING S 36 X truck-mounted concrete pump for decades, making it a proven companion on construction sites all over the world. SCHWING manufactures the robust steel structure using steel from the leading manufacturers in Western Europe. The S 36 X offers lasting reliability and excellent retention of value, last but not least because SCHWING steered well clear of experiments with the pump's design. The open hydraulics system with the generously dimensioned SCHWING hydraulics components delivers impressive fuel efficiency and high pumping performance. The hard-wearing and easy to maintain ROCK-valve also helps with keeping costs low and income high. The SCHWING S 36 X: Efficient and reliable concrete pumping.

The S 36 X from SCHWING

Advantages and benefits at a glance

Boom

The turret can be rotated 365° in either direction and the tip section can rotate 238° meaning that even the most demanding placement situations can be mastered effortlessly. And the robust construction ensures a long service life.



Pump kit

The ROCK and the differential cylinders are switched fully hydraulic via the SCHWING control block. This ensures outstanding reliability even in difficult operating conditions and makes servicing the system a breeze.



Outriggers

The unique combination of front X and rear H outriggers results in a uniquely small footprint. The support legs are optimally equipped for the daily life on the building site - thanks to the protected piston rods and internally laid hydraulic lines.



Wheelbase: 4,200 mm

Concrete valve

Thanks to its intelligent design, the ROCK valve suffers significantly less wear and tear than other concrete valves. It is also quick to clean and is demonstrably easier to maintain. The advantages for the S 36 X: shorter servicing times, higher machine uptime and lower maintenance costs.



Supply control

The water box can be filled and emptied, and the water pump, agitator, spray hose, high pressure cleaner and compressor, all controlled via the standardised supply control. This is the standard for all SCHWING truck-mounted concrete pumps for greater clarity and ease of operation.



Hinged sidewall

The 3.20 metre long hinged sidewall comes as standard and features integrated hose / tube mounts. It provides safe and easy storage for hoses, tubes and other accessories on the go. A hinged sidewall with an extended length of 5.00 metres is available as optional equipment.



Remote control SC 30

The light weight, easy to use and comfortable SC 30 helps minimise fatigue, allowing the operator to focus on the job for extended periods. The powerful batteries guarantee an operating time of at least 8 hours.



Open hydraulic system

The S 36 X open hydraulic system converts the engine power efficiently into pump power with little loss. Thus, the usual practice output rates can be realized with a fuel-saving engine speed of just over 1000 rpm.



VECTOR control

The machine operator can inspect machine data, operating conditions and settings on S 36 X, changing various parameters, all through the intuitive VECTOR control. The integrated diagnostic system ensures safe operation and also reminds the operator when maintenance is necessary.



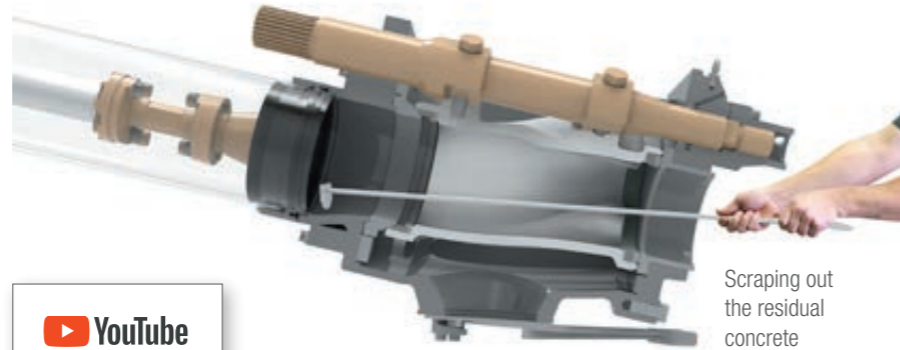
SCHWING GmbH
Heerstrasse 9-27
44653 Herne, Germ,any
Phone +98 021 - 224 286 75-8
Fax +98 021 - 224 286 78
@mr.pump_iran
www.saghargostar-co.ir

Advantages and benefits in detail

The ROCK

Faster clean with less water.

Due to its straight design, in comparison to other concrete valves, the ROCK valve is easier and quicker to clean. It also provides a direct view into the delivery cylinder and of the pumping pistons. The pump kit can therefore be cleaned easily and conveniently within just two strokes. This saves water and reduces the time needed for cleaning.

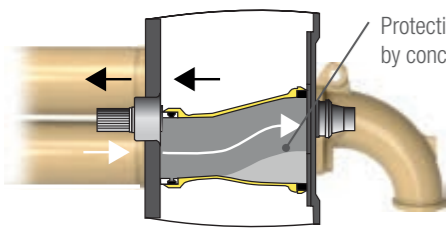


Scraping out the residual concrete

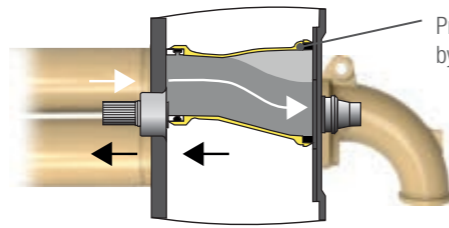


Intelligent wear protection.

The wear in the concrete valve is particularly high as the concrete is fed into the outlet at high pressure. In order to minimize this wear, at the most heavily loaded point of the ROCK concrete does not rub on steel, but rather on concrete. This is because the intelligent design of the ROCK leads to the formation of a concrete triangle after each shift. Protected by this concrete layer, the ROCK has a significantly longer service life than other concrete valves. For noticeably more profit per m³.



Protection of the ROCK inside by concrete triangle



Protection of the ROCK inside by concrete triangle

Easy maintenance.

The ROCK valve not only has a significantly longer service life than other concrete valves, it is also easier to maintain. After removing the housing cover, the wear parts are easily accessible and can be replaced quickly and safely. Time-consuming adjustment work is not required after replacement. And the number of wearing parts at 15 with the ROCK valve is just half as high as with other concrete valves. The maintenance of the ROCK valve: simple, fast and safe.



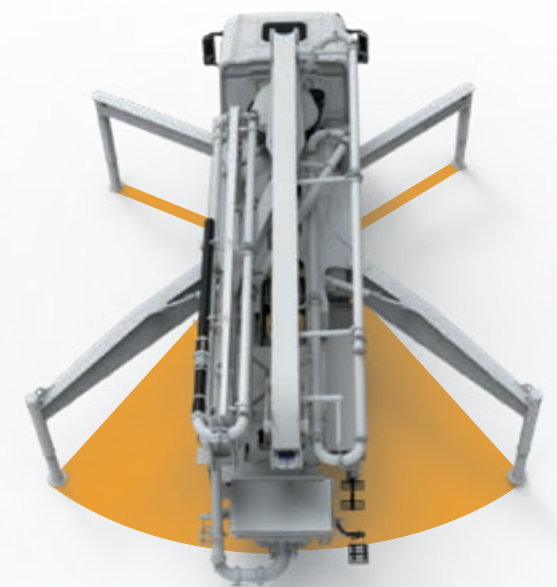
Space-saving outriggers

Less set-up space, more flexibility.

Because of the unique combination of front X- and rear H-outriggers, the S 36 X needs the smallest set-up space in its class. The advanced design without the otherwise customary expansive folding outriggers at the rear allows the S 36 X to be deployed to sites where other concrete pumps simply will not fit. In addition, the rear H-outriggers offer lots of storage space on both sides for accessories and hoses. The standard 3.20-metre-long sidewall on the left-hand side can be hinged and features integrated hose/tube mounts. A hinged sidewall with an extended length of 5.00 metres is available as an option.



S 36 X with combined X and H outriggers

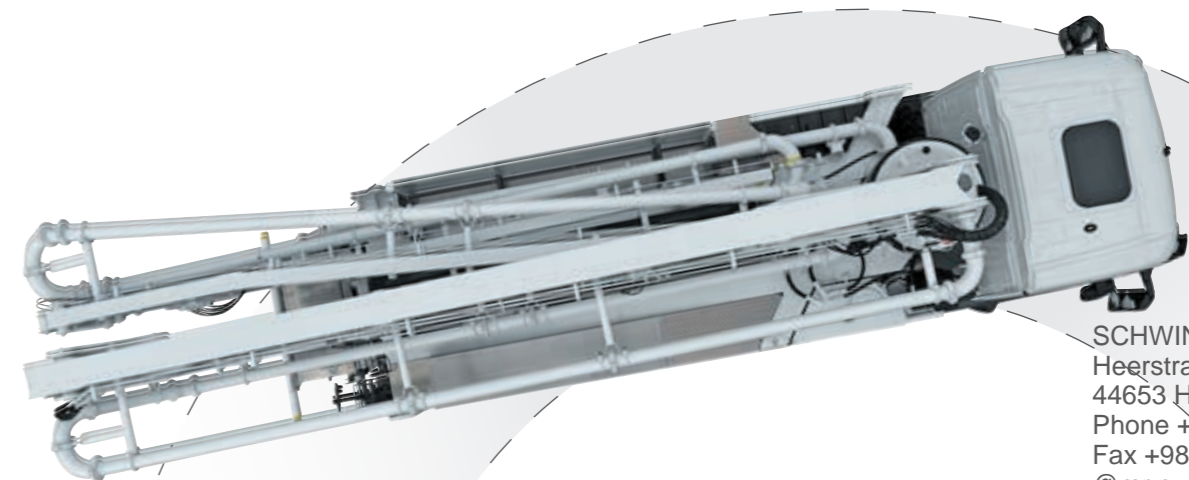


Concrete pump with combined X and folding outriggers

Short wheelbase

Outstanding manoeuvrability - on street and on site.

At only 4.20 metres, the shortest wheelbase in its class makes the S 36 X an exceptionally manoeuvrable truck-mounted concrete pump. Operator's advantage: The S 36 X makes manoeuvring roundabouts, narrow roads or within construction sites easier and safer.

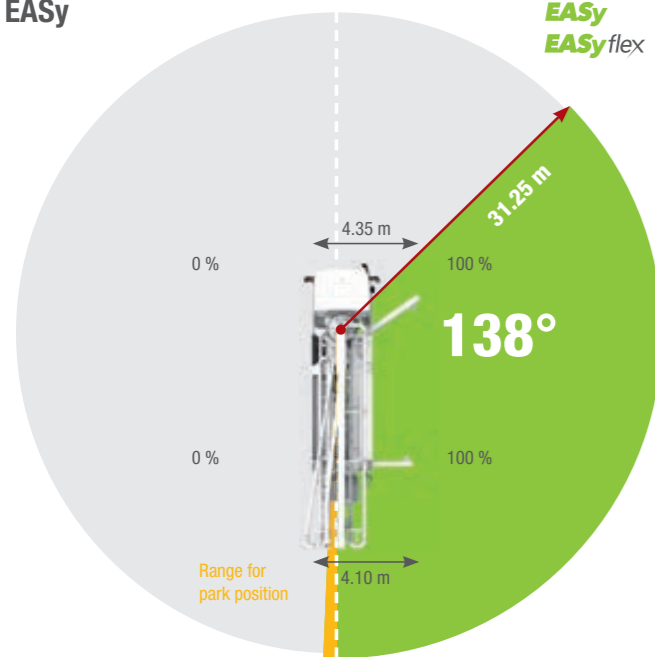


SCHWING GmbH
Heerstrasse 9-27
44653 Herne, Germany
Phone +98 021 - 224 286 75-8
Fax +98 021 - 224 286 78
@mr.pump_iran
www.saghargostar-co.ir

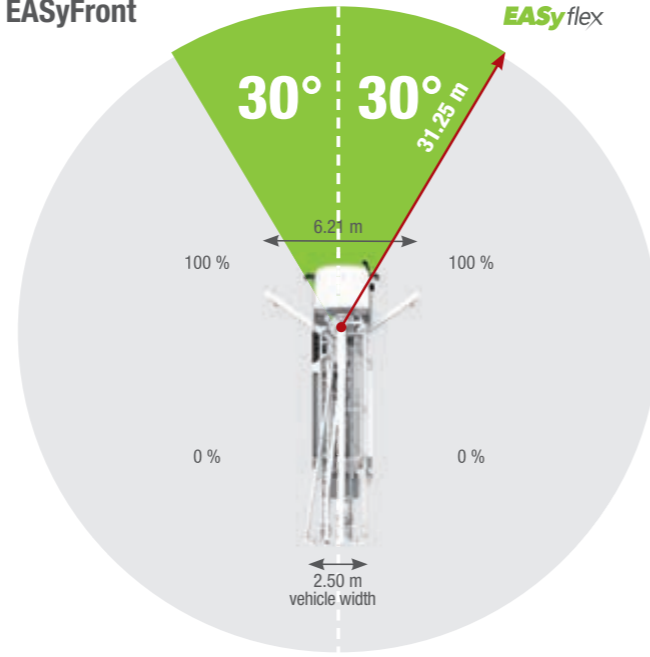
EASy and EASyflex

The outrigger systems EASy and EASyflex extend the range of applications of the S 36 X. With EASy, the concrete pump can be safely supported on one side, if required. Thereby covering a working range of 138°. EASyflex provides further outrigger combinations and as such, more flexibility on the jobsite. In this way, pump applications can be achieved with the maximum working safety even in difficult, restricted spaces. More flexibility for more safety.

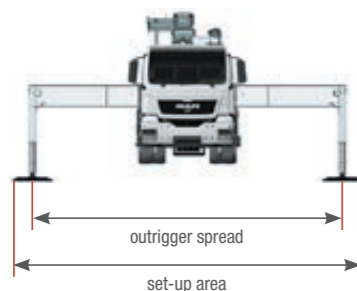
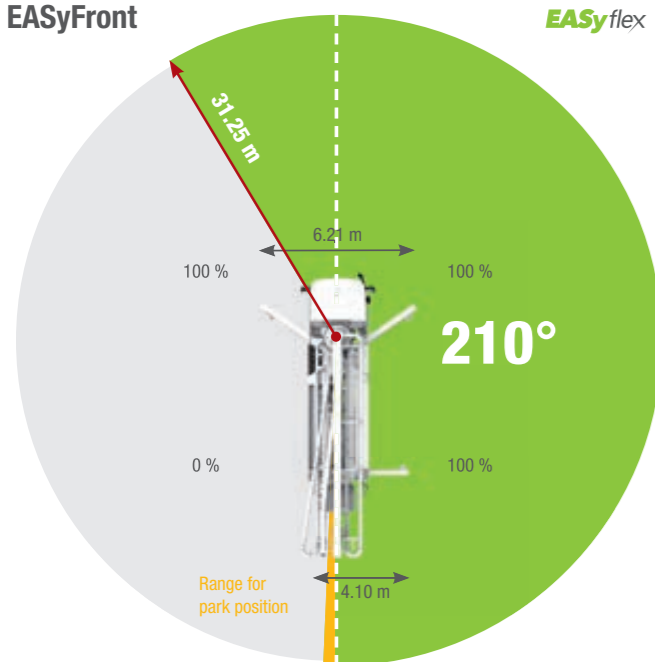
EASy



EASyFront



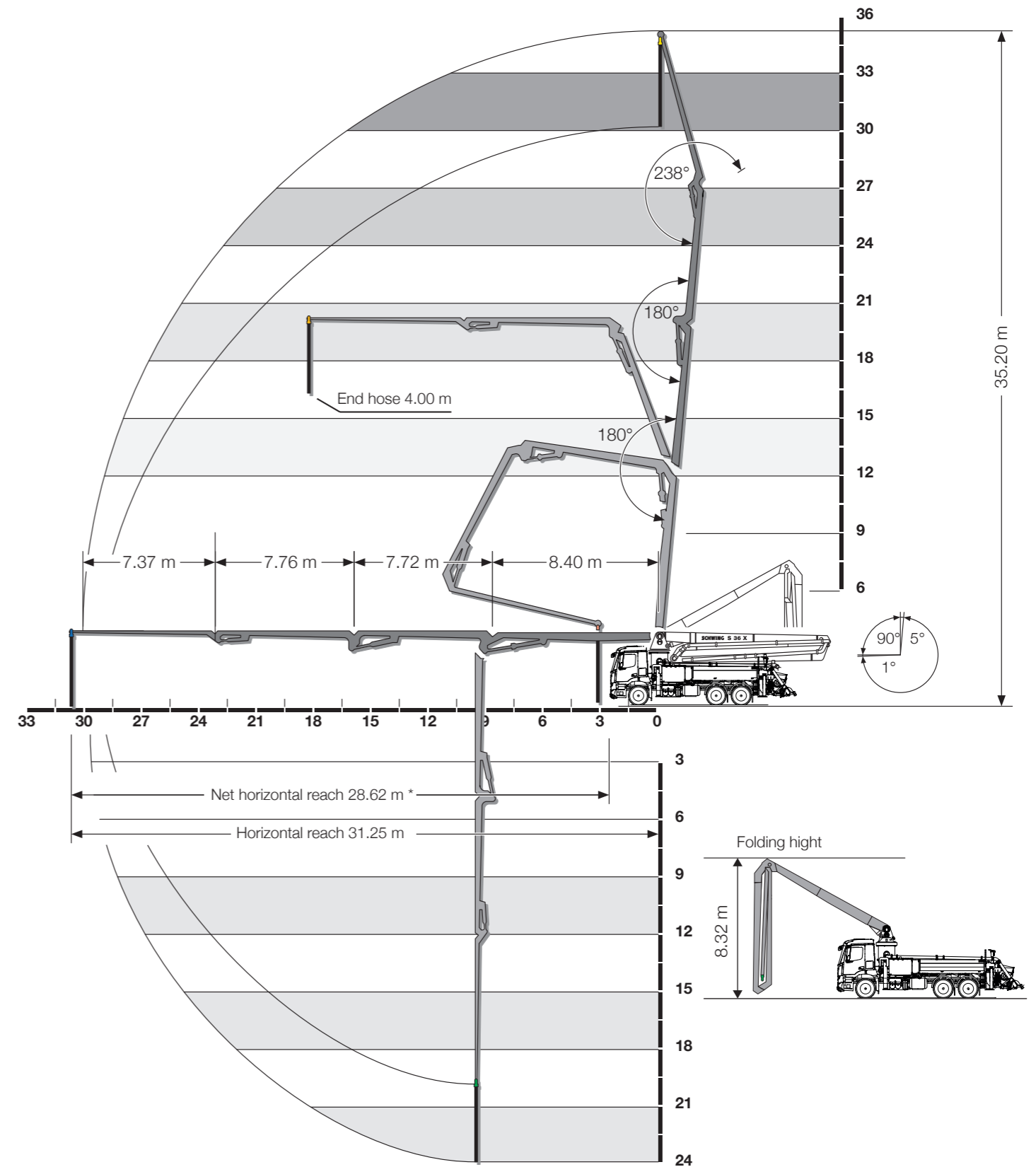
EASy with EASyFront



The outrigger spreads as specified are measured from the centre of the outrigger leg. Any cribbing or underlay timbers must be taken into account when determining the required set-up area.

S 36 X Truck-mounted concrete pump

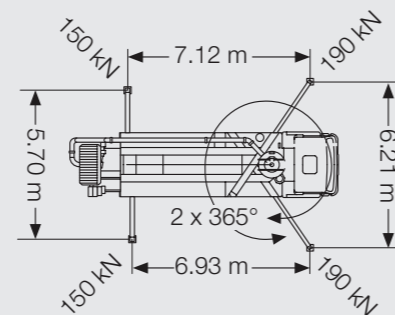
Working range



* from front bumper

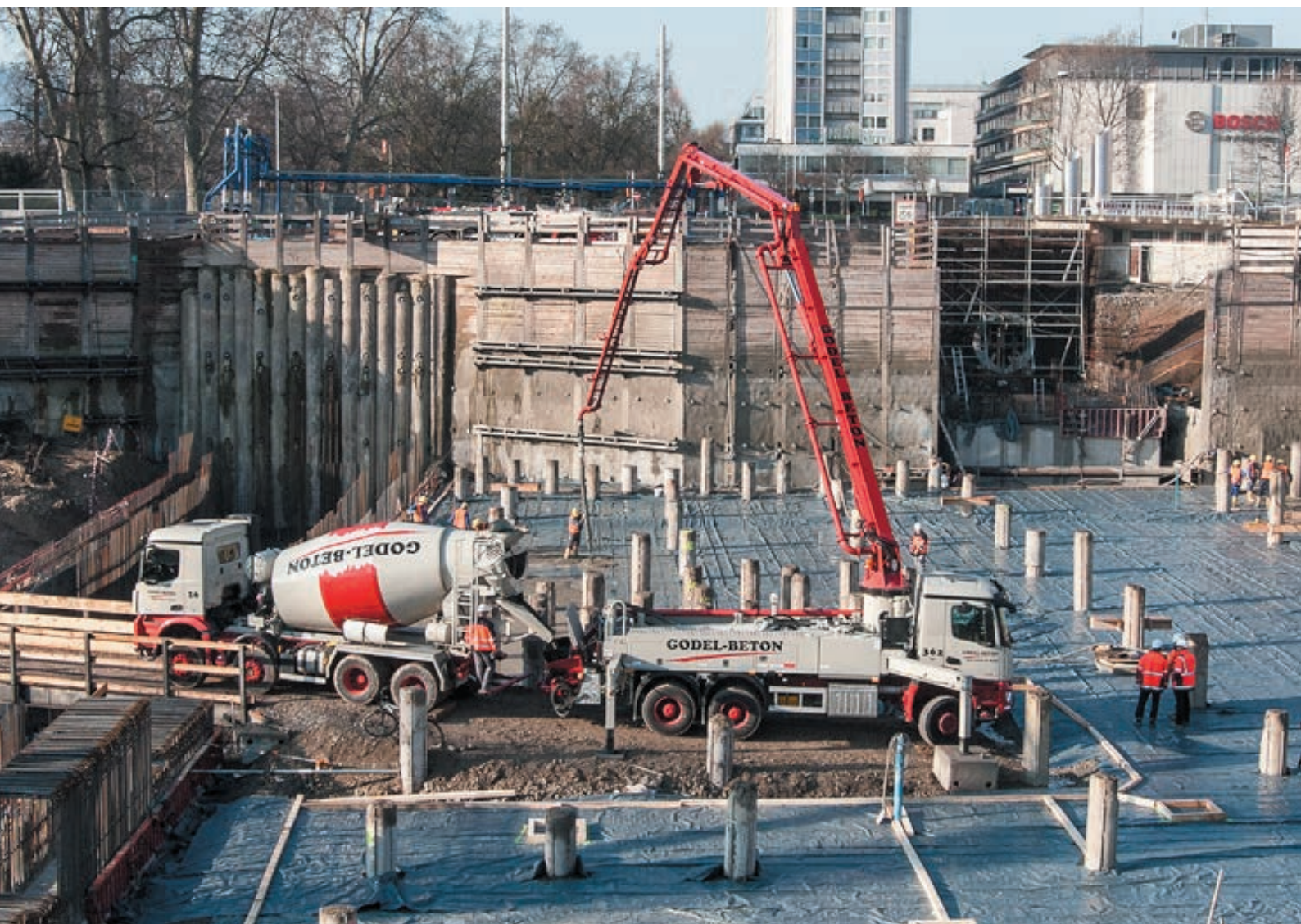
Technical data

Performance						
Pump kit		P2023-110/75	P2023-110/75	P2023-110/75	P2025-120/80	P2025-120/80
Drive	l/min	380	535	636	535	636
Delivery cylinders	mm	230 x 2,000	230 x 2,000	230 x 2,000	250 x 2,000	250 x 2,000
Concrete output max.	m ³ /h	98	136	161	136	161
Pressure on concrete max.	bar	85	85	85	85	85
Stroke rate max.	1/min.	20	27	32	23	27
Concrete valve		M-ROCK (Option: B-ROCK)	M-ROCK (Option: B-ROCK)	M-ROCK (Option: B-ROCK)	B-ROCK	B-ROCK
Hydraulic system						
Design		open system				
Hydraulic tank	l	370				
Boom						
		36 R				
Delivery line		DN 125				
Length of end hose	m	4.00 (Option: 1.00 + 3.00)				
Vertical reach	m	35.20				
Reach depth	m	24.00				
Horizontal reach	m	31.25				
Net horizontal reach	m	28.62* (from front bumper)				
Number of boom sections		4				
Height of the inflexion points	m	4.00 / 12.40 / 20.10 / 27.90				
Slewing range		2 x 365°				
Folding height	m	8.32				
Support						
Outrigger width, front	m	6.21				
Outrigger width, rear	m	5.70				
Outrigger load, front	kN	190				
Outrigger load, rear	kN	150				
Chassis examples**)						
		Mercedes-Benz Arocs 2740	MAN TGS 26.360			
Axles configuration		6x4	6x4			
Wheelbase		4,200	4,200			
Length		11,205	11,235			
Miscellaneous						
Water tank	l	420				



SCHWING GmbH
 Heerstrasse 9-27
 44653 Herne, Germ.any
 Phone +98 021 - 224 286 75-8
 Fax +98 021 - 224 286 78
 @mr.pump_iran
 www.saghargostar-co.ir

*depending on the chassis **other chassis possible



SCHWING concrete pumps. Efficiency as standard.



SCHWING
Stetter

SCHWING GmbH
Heerstrasse 9-27 · 44653 Herne, Germany
Fon +49 23 25 - 987-0 · Fax +49 23 25 - 72922
www.schwing-stetter.com · info@schwing.de

SCHWING GmbH
Heerstrasse 9-27
44653 Herne, Germany
Phone +98 021 - 224 286 75-8
Fax +98 021 - 224 286 78
@mr.pump_iran
www.saghargostar-co.ir

Stetter GmbH
Dr.-Karl-Lenz-Strasse 70 · 87700 Memmingen, Germany
Fon +49 83 31 - 78-0 · Fax +49 83 31 - 78 275
www.schwing-stetter.com · info@stetter.de

Subject to technical and dimensional modifications. Illustrations are non-binding. The exact standard specification, the scope of delivery and the technical data are detailed in the offer.